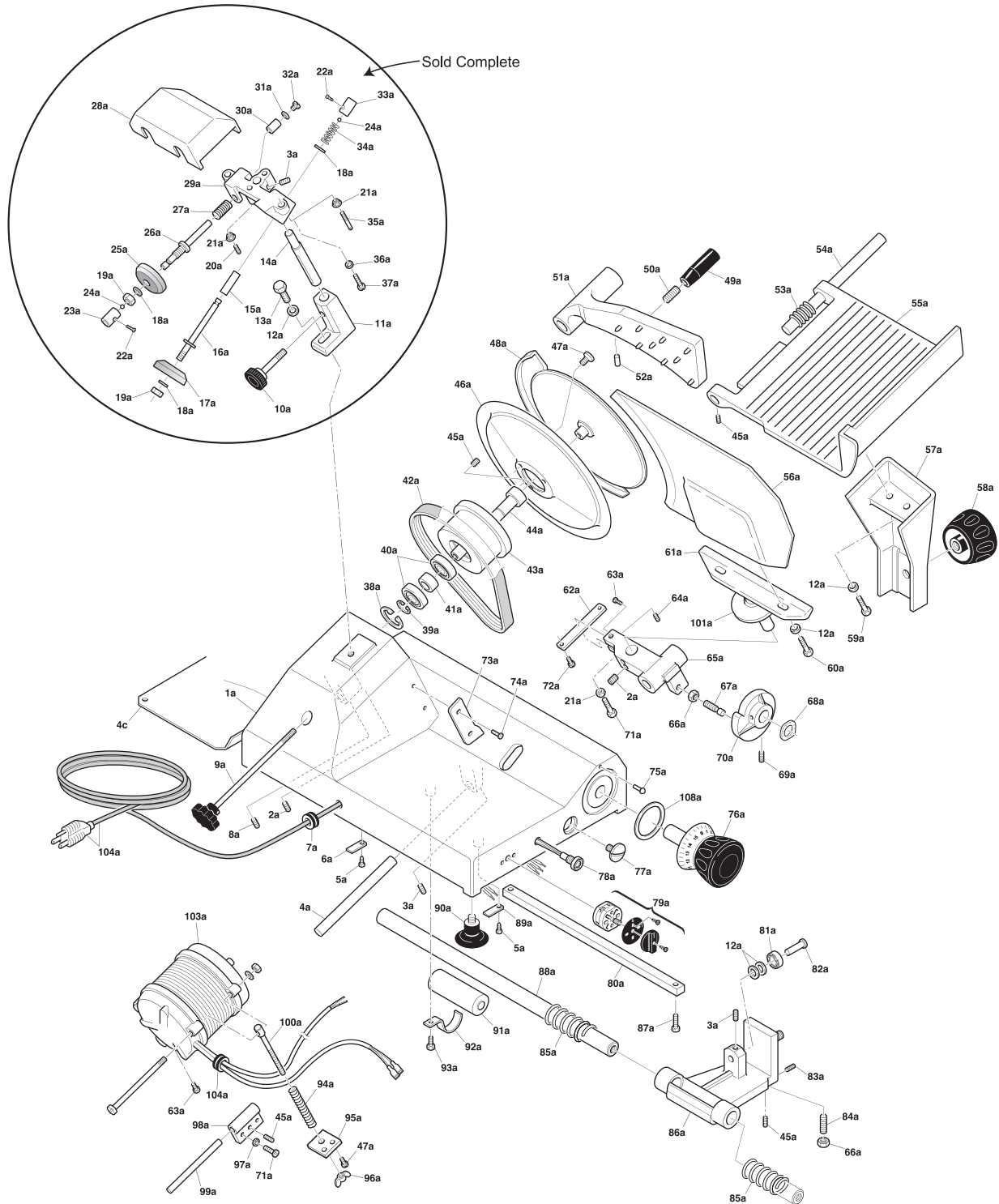


Parts Breakdown

Model MS-IT-0275-I 13625



Parts Breakdown

Model MS-IT-0275-I 13625

Item No.	Description	Position	Item No.	Description	Position	Item No.	Description	Position
34254	Housing for 13625	A1	34291	Clip for 13625	A38	AJ282	Parafette for 13625	A73
34255	Set Screw TC for 13625	A2	34293	Clip for 13625	A39	AJ283	Screw T.C. for 13625	A74
34256	Set Screw TC for 13625	A3	AJ268	Bearing for 13625	A40	34330	Copper Rivet for 13625	A75
AJ262	Small Group Pin for 13625	A4	34296	Spacer for 13625	A41	AJ284	Graduated Knob for 13625	A76
AJ263	Screw TC for 13625	A5	34297	Belt TB2-360x10 for 13625	A42	AJ285	Screw Inox for 13625	A77
34260	Stop Plate for 13625	A6	AJ269	Spindle Pulley for 13625	A43	34333	Light for 13625	A78
34261	Strain Relief for 13625	A7	AJ270	Spindle Pin for 13625	A44	15195	Switch - On / Off for 13625	A79
34262	Set Screw TP for 13625	A8	AJ271	Bead for 13625	A45	AJ286	Square Bar for 13625	A80
17686	Tie Rod for 13625	A9	13590	Blade 40-3-220 (22) for 13625	A46	AJ287	Bearing for 13625	A81
34263	Sharpener Tie Rod for 13625	A10	34302	Screw TPSV for 13625	A47	34337	Bearing Pin for 13625	A82
AJ264	Pipette for 13625	A11	15158	Blade Shield for 13625	A48	AJ288	Iron Bead for 13625	A83
34265	Washer for 13625	A12	AJ272	Presser Knob for 13625	A49	34339	Set Screw PVC for 13625	A84
34266	Screw TE for 13625	A13	AJ273	Captive for 13625	A50	34340	Slide Bar Spring for 13625	A85
34267	Shaft for Sharpener for 13625	A14	AJ274	Presser for 13625	A51	34341	Carriage Support for 13625	A86
34269	Sharpener Pin for 13625	A16	AJ275	Plastic Bead Holder for 13625	A52	34342	Screw TC for 13625	A87
18016	OmcAn G Stone 50x08x06 for 13625	A17	AJ276	Spring Presser for 13625	A53	AJ289	Round Bar for 13625	A88
34271	Washer for 13625	A18	AJ277	Rod for 13625	A54	34344	Stop Plate for 13625	A89
34272	Nut for 13625	A19	AJ278	Plate for 13625	A55	AJ290	Foot for 13625	A90
34273	Set Screw for 13625	A20	34310	Guide Plate for 13625	A56	34346	Capacitor for 13625	A91
34274	Nut for 13625	A21	AJ279	Arm for 13625	A57	AJ291	Condenser Clamp for 13625	A92
34275	Screw TGS for 13625	A22	34312	Carriage Knob for 13625	A58	34348	Screw TC for 13625	A93
34276	Sharpener Push Button for 13625	A23	34313	Screw TE for 13625	A59	AJ292	Nut for 13625	A94
34277	Ball Bearing for 13625	A24	34314	Screw TE for 13625	A60	AJ293	Engine Plate for 13625	A95
33032	45x9x6 Sharpening Stone for 13625	A25	34315	Guide Plate Support for 13625	A61	AJ294	Nut for 13625	A96
34279	Sharpener Pin for 13625	A26	AJ280	Group Plate for 13625	A62	34352	Washer for 13625	A97
34280	Sharpener Pin Spring for 13625	A27	34317	Screw TC for 13625	A63	34353	Hinge for 13625	A98
AJ265	Sun Canopy EXCE for 13625	A28	34318	Set Screw TC for 13625	A64	34354	Motor Support Shaft for 13625	A99
AJ266	Sharpening Body for 13625	A29	34319	Cam Guide for 13625	A65	34355	Motor Tie Rod for 13625	A100
34284	Washer for 13625	A31	34321	Nut for 13625	A66	34356	Guide Plate Support Cover for 13625	A101
34285	Screw TC for 13625	A32	34322	Cam Screw for 13625	A67	15078	Motor for 13625	A103
34286	Sharpener Push Button for 13625	A33	AJ281	Corrugated Washer for 13625	A68	AJ295	Cord for 13625	A104
34287	Sharpener Pin Spring for 13625	A34	34324	Set Screw for 13625	A69	AJ296	White Ring for 13625	A108
AJ267	Captive Stud for 13625	A35	34325	Cam for 13625	A70	25161	Bottom Cover for 13625	C4
34289	Washer for 13625	A36	34326	Screw TE for 13625	A71	34320	Cam Assembly for 13625	
34290	Screw TC for 13625	A37	34327	Screw TC for 13625	A72	15156	Complete Sharpening Assy. for 13625	